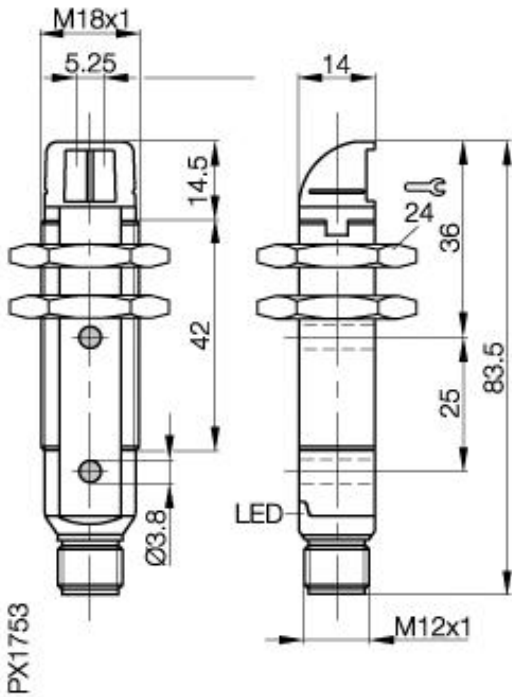


**Photoelectric Sensor**  
**BOS 18KW-PA-1XA-S4-C**  
**Sn=80mm**  
**Diffuse**



**Common Data**

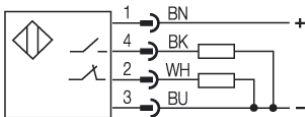
Series	18K
Sensortype	Diffuse
Switching frequency	1000 Hz
Rated operating distance Sn in mm	80
asured operating distance Sa	0...80mm
Indication Switching element on	yes, yellow LED
Ambient temperature	-25...+55°C
On-delay	0,5ms
Off-delay	< 0,8ms
Light	Infrared
Diameter of active zone	approx.55mm at 100mm
Output function	light-on or dark-on

**Mechanical Data**

Measurements	M18x83,5
Shock	Halfsinus, 30gn, 11ms
Vibration	10...55Hz, 1,5mm Amplitude 3x2h
Housing material	PBT
Material of sensing face	PMMA
Degree of protection	IP67
Connection	Connector S4 (M12)
Weigth	25g
Recommended connector	BKS-S20-8

**Electrical Data**

Current	DC
Switching function	NO/NC
Output	PNP
Rated operational voltage Ue	24V DC
Rated operational current Ie	100mA
Supply Voltage	10...30V DC
Ripple	< 10% from UB
Frequency of Supply Voltage	DC
No-load supply current	<35mA
Voltage drop	<2V
Short protection	yes
Protected against polarity reversal	yes



Utilization categories  
 Insulation class

DC 13

Datasheet number:

Definitions see general catalog.  
 If not otherwise noted, ratings according to  
 IEC 60947-5-2 (DIN EN60947-5-2)

Balluff GmbH  
 Schurwaldstrasse 9  
 73765 Neuhausen a.d.F.  
 Phone (07158) 173-0 Fax (07158) 5010

Datenblatt by CD-ROM - 04/2007

**BALLUFF**  
 sensors worldwide